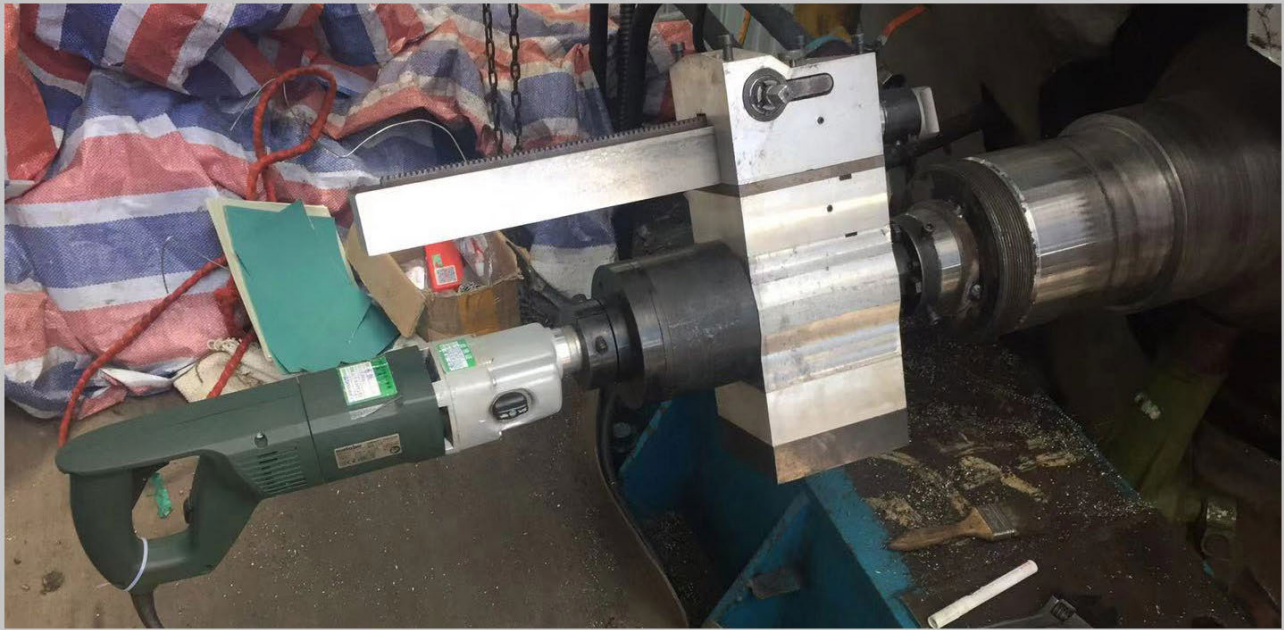


**Compact, rugged lathe for on-site re-turning of small shaft or journals.**



## DESCRIPTION

A compact, rugged portable lathe for on-site re-truing of small shafts or journals, the SL270 Portable Lathe mounts on the end of the shaft.

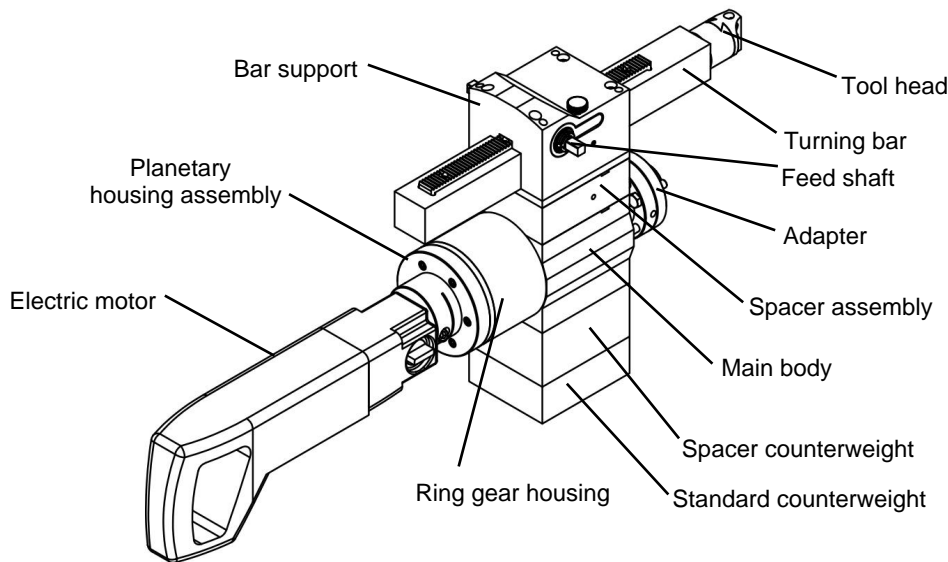
## KEY FEATURES

- Mounts on the end of the shaft. Simply remove the gear or bearing to expose the end of the shaft.
- The 1.1Kw(1.48Hp) electric motor and 4:1 gear reduction provides plenty of torque.
- Automatic axial feed is infinitely variable from 0-0.6mm/rev(0-0.024inches/rev).
- Criterion style tool head provides accurate depth adjustments in 0.02mm increments.
- With the abrasive belt holder, SL270 can polish the surface of shafts less than Ra0.8.
- Main body and turning bar are made of aluminum alloy to ensure the strength and reduce the weight of the equipment.

## PERFORMANCE AND SPECIFICATION

<b>TURNING REACH</b>	12.5"	317.5mm
<b>SHAFT DIAMETER</b>		
Minimum diameter	1.5"	38.1mm
Maximum diameter	10.6"	270mm
<b>SWING DIAMETER RANGES</b>	14.1" to 19.4"	357.5 to 493mm
<b>POWER DRIVE MOTOR</b>		
Electric motor	1.1 KW	1.48 Hp
<b>TURNING BAR SPEED</b>	Two speed detent positions 107.5 & 200 RPM	
<b>VARIABLE TOOL FEED RATE</b>	0 to 0.024"/rev	0 to 0.6mm/rev
<b>CUTTER MODIFIED</b>		12 x 12mm

## STANDARD MACHINE PACKS

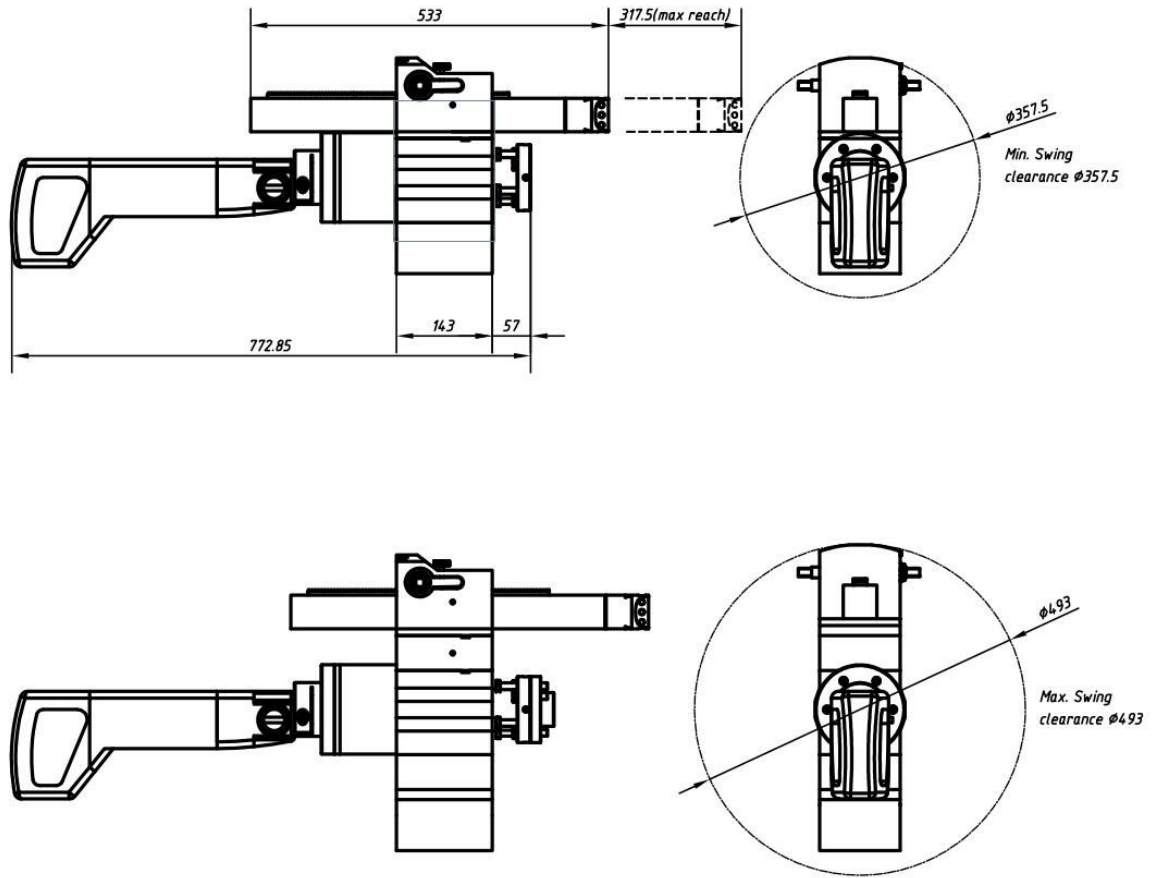


### SL270 standard components

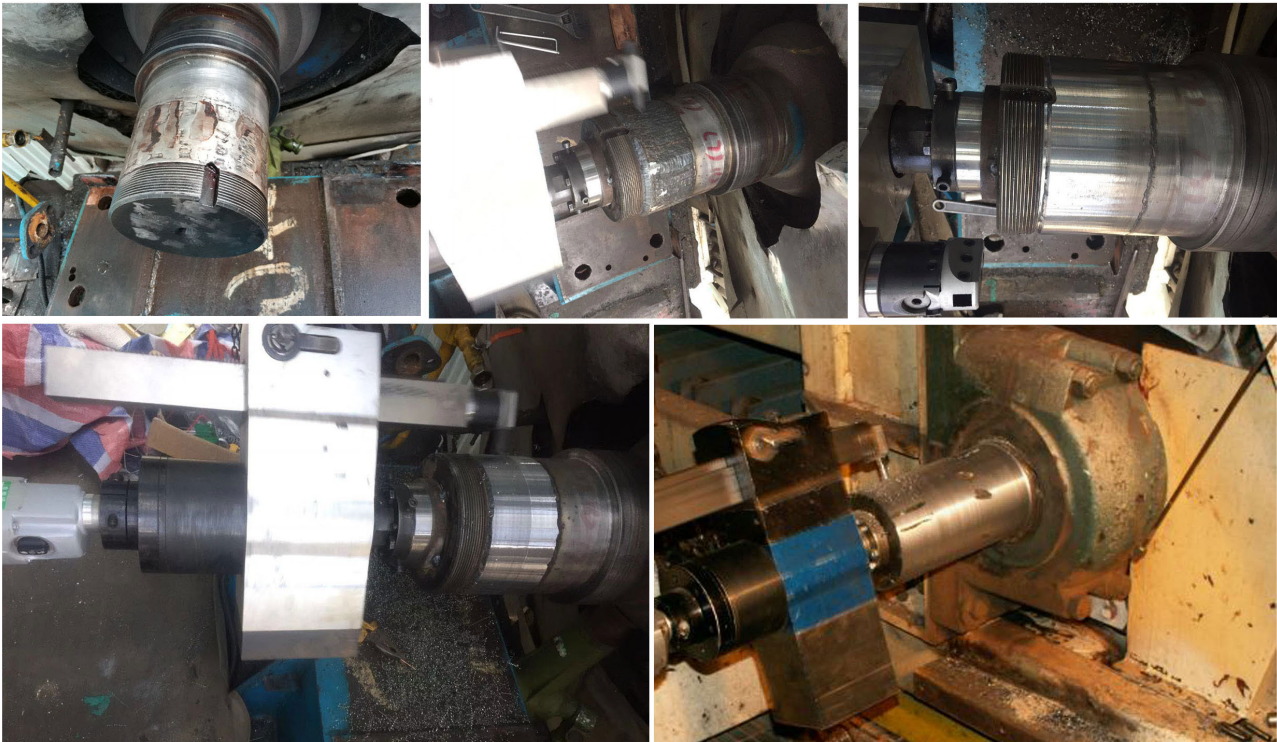
ITEMS INCLUDED	QUANTITY	CODE
SL270 Main body(Turning bar,Tool head,Standard counterweight included)	1	SL270-1
Electric motor 1.1Kw (Metabo)	1	SL270-2
Spacer assembly (52mm thickness)	1	SL270-3
Spacer assembly (15mm thickness)	1	SL270-4
Spacer counterweight (52mm thickness)	1	SL270-5
Spacer counterweight (15mm thickness)	1	SL270-6
Small adapter(Shaft Dia. 38.1 to 95.3mm)	1	SL270-7
Large adapter(Shaft Dia. 95.3 to 270mm)	1	SL270-8
Abrasive belt holder	1	SL270-9
Dial indicator(with magnet base)	1	SL270-10
Tool kit (12mm )	1	SL270-11
Installation tools	1	SL270-12
Manual	1	SL270-13



## OPERATIONAL DIMENSIONS



## APPLICATIONS PHOTOS





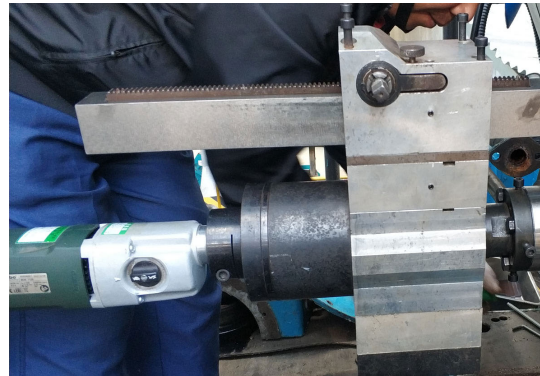
## SETUP AND OPERATION

Mounts on the end of the shaft. Simply remove the gears or bearings to expose the end of the shaft. Setup of SL270 portable lathe is quick and easy. An experienced operator can set up and center the machine in less than an hour.

**1** Weld the shaft



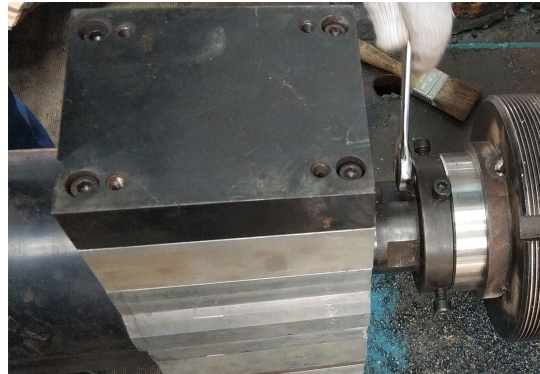
**4** Mount the machine



**2** Drilling and Threading



**5** Center the machine



**3** Mount the adapter



**6** Machining and grinding

